

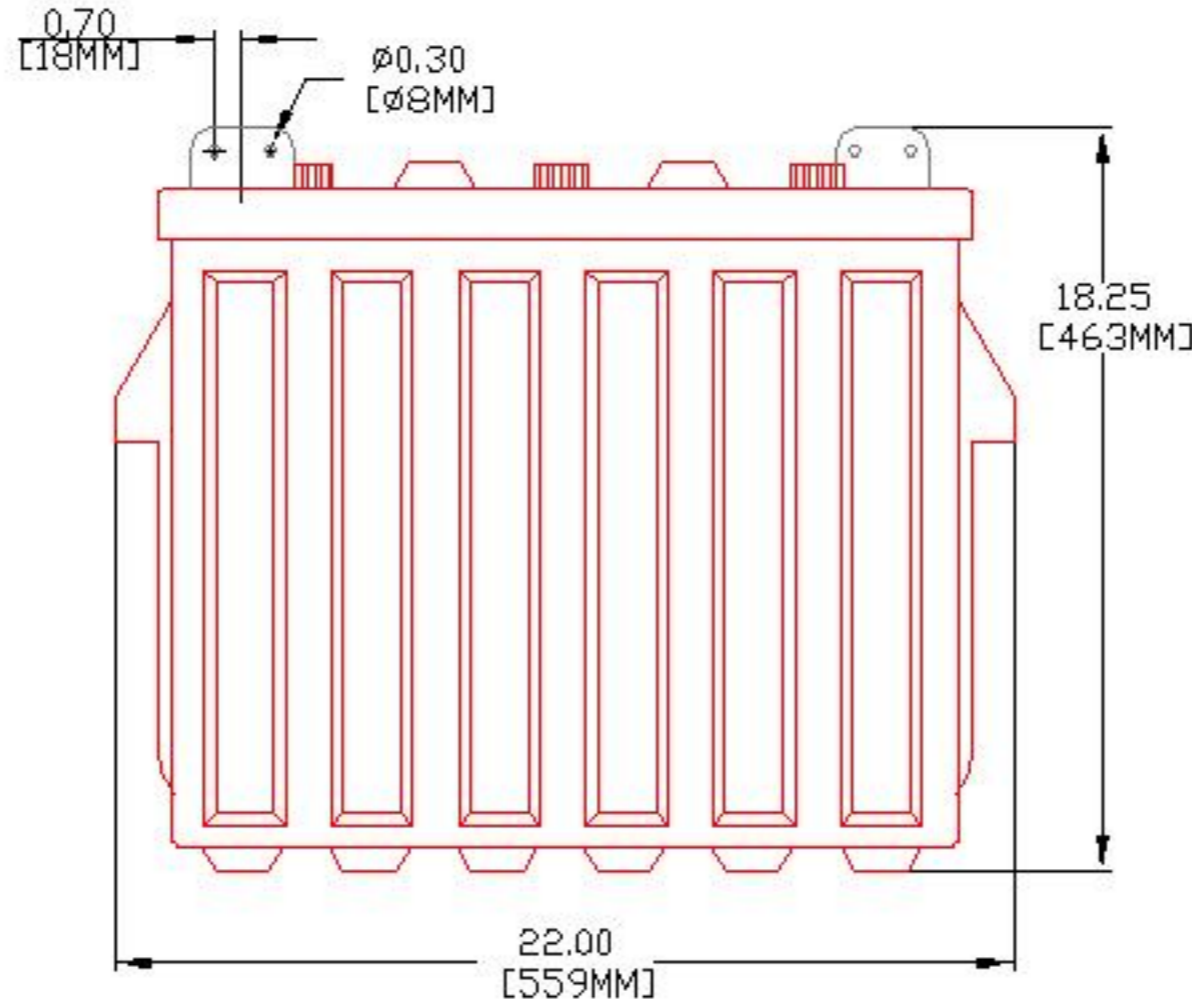
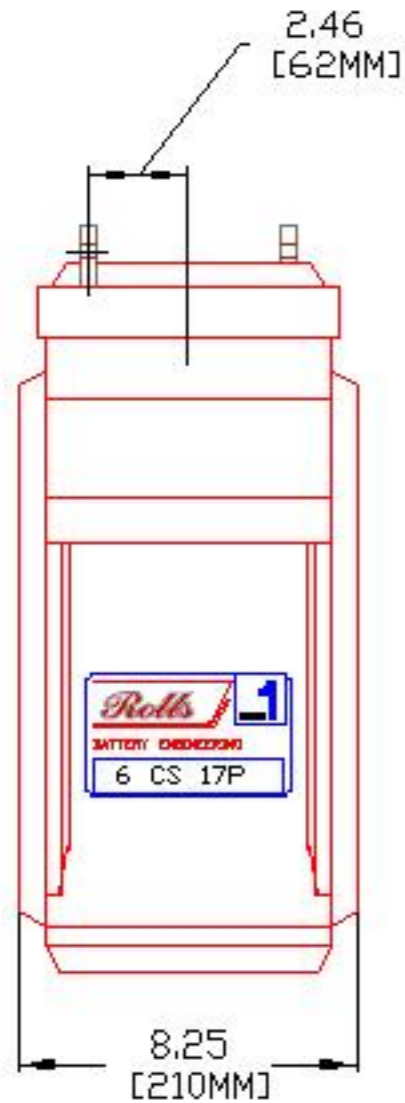
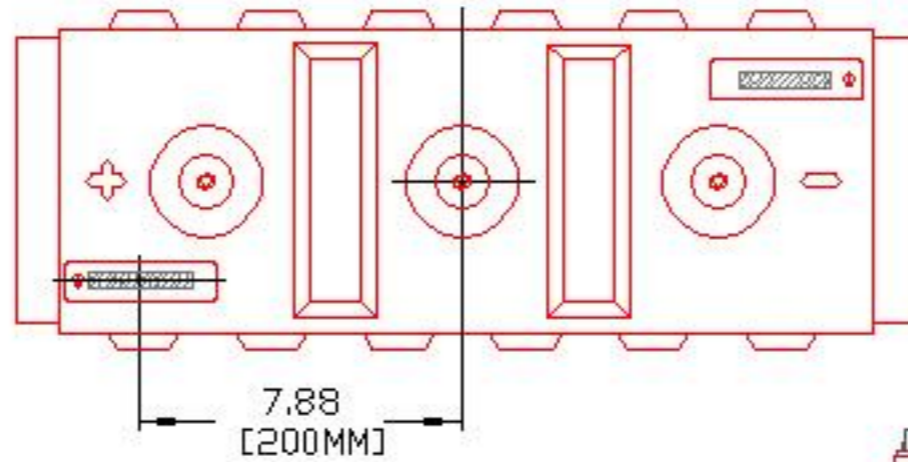


# DEEP CYCLE-SOLAR SERIES 5000

<b>BATTERY TYPE</b>	<b>VOLTS</b>	<b>6</b>	<b>6 CS 17PS</b>
<b>DIMENSIONS</b>			
LENGTH	559 MM	22	INCHES
WIDTH	210 MM	8 1/4	INCHES
HEIGHT	464 MM	18 1/4	INCHES
<b>WEIGHT DRY</b>	81 KG	178	LBS.
<b>WEIGHT WET</b>	100 KG	221	LBS.
<b>CONTAINER CONSTRUCTION</b>			
INNER CONTAINER	POLYPROPYLENE		
INNER COVER	POLYPROPYLENE - HEAT SEALED TO INNER CONTAINER		
OUTER CONTAINER	HIGH DENSITY POLYETHYLENE		
OUTER COVER	HIGH DENSITY POLYETHYLENE SNAP FIT TO OUTER CONTAINER		
HANDLES	MOLDED		
<b>PLATES PER CELL</b>	17		
<b>ELECTROLYTE RESERVE ABOVE PLATES</b>	76 MM	3	INCHES
<b>DESIGN CRITREA</b>	10 YEAR WARRANTY	3300	CYCLES 15 YEAR LIFE
<b>POSITIVE PLATE DIMENSION</b>			
HEIGHT	273 MM	10.750	INCHES
WIDTH	143 MM	5.625	INCHES
THICKNESS	6.73 MM	0.265	INCHES
<b>NEGATIVE PLATE DIMENSION</b>			
HEIGHT	273 MM	10.750	INCHES
WIDTH	143 MM	5.625	INCHES
THICKNESS	4.70 MM	0.185	INCHES
<b>SEPARATOR</b>	SEPARATOR THICKNESS	0.105 INCH	
<b>INSULATION</b>	POSITIVE PLATE ENVELOPED BY VERTICAL SLYVER GLASS MAT		
<b>TERMINALS</b>	FLAG WITH STAINLESS STEEL NUTS AND BOLTS		
<b>COLD CRANK</b>	CCA 0°F / -17.8°C	1357	<b>RESERVE</b>
	MCA 32°F / 0°C	1696	<b>MINUTES AT 25A</b> 1083
<b>CAPACITY</b>	20 HR RATE	546	
		CAP / AH	CURRENT / AMPS
CAPACITY AT THE 100 HOUR RATE	1.265 SP. GR.	770	7.70
CAPACITY AT THE 72 HOUR RATE	1.265 SP. GR.	726	10.09
CAPACITY AT THE 50 HOUR RATE	1.265 SP. GR.	672	13.43
CAPACITY AT THE 24 HOUR RATE	1.265 SP. GR.	568	23.7
<b>CAPACITY AT THE 20 HOUR RATE</b>	<b>1.265 SP. GR.</b>	<b>546</b>	<b>27.3</b>
CAPACITY AT THE 15 HOUR RATE	1.265 SP. GR.	508	33.9
CAPACITY AT THE 12 HOUR RATE	1.265 SP. GR.	475	39.6
CAPACITY AT THE 10 HOUR RATE	1.265 SP. GR.	453	45.3
CAPACITY AT THE 8 HOUR RATE	1.265 SP. GR.	426	53.2
CAPACITY AT THE 6 HOUR RATE	1.265 SP. GR.	388	64.6
CAPACITY AT THE 5 HOUR RATE	1.265 SP. GR.	366	73
CAPACITY AT THE 4 HOUR RATE	1.265 SP. GR.	339	85
CAPACITY AT THE 3 HOUR RATE	1.265 SP. GR.	306	102
CAPACITY AT THE 2 HOUR RATE	1.265 SP. GR.	262	131
CAPACITY AT THE 1 HOUR RATE	1.265 SP. GR.	186	186



PART NUMBER: 6-CS-17P  
 WEIGHT WET: 221 LB / 100 KG  
 WEIGHT DRY: 178 LB / 81 KG  
 CAPACITY: 546 AH 20 HR  
 770 AH 100 HR  
 VOLTAGE: 6 V  
 OVERALL DIMENSIONS: 22X8 1/4X18 1/4"  
 MAX HEIGHT WITH OPTIONAL HYDROCAPS: 18 5/8" - 473 MM



*Rolls*

BATTERY ENGINEERING SALEM, MASS

TITLE: 6CS17P

DESCRIPTION: 6V / 3 CELL 17 PLATE (CS) DEEP CYCLE 500/5000 SERIES

CONTACT INFO: WEB: WWW.ROLLSBATTERY.COM  
 E-MAIL: SALES@ROLLSBATTERY.COM  
 PHONE: 1-800-681-9914

SCALE: 1" = 6" 1" = 4" JFEG  
 8.5" X 11" 11" X 17" NOT TO SCALE

Drawn by: S. WILES Approved By: D. SURRETTE

DATE: 14-JUN-00 REVISION 2.1

DRAWING NO./DWG 005, BD6CS17P