

Chloride CP Series Parallel Redundant UPS (Three-Phase 125 - 150 kVA): The Chloride CP Series UPS is designed for high-end industrial, datacom, and commercial users who demand the best performance and maximum reliability from their electronic systems. Field-upgradable technology allows for easy scalable power and runtime upgrades as well as N+1 distributed or centralized paralleling on your premise.

True on-line, double conversion technology

The CP Series UPS is a true "on-line," double conversion, pulse width modulated (PWM), three-phase output UPS that employs the latest in high-speed switching Isolated Gate Bipolar Transistor (IGBT) technology.

The double conversion design provides the highest degree of critical load isolation from damaging commercial power aberrations.

Parallel redundant

The CP Series UPS is designed to parallel (up to 8 UPS modules) for redundancy and/or capacity while providing 24/7 availability for mission-critical systems. The results? Increased availability, reliability, and operating efficiency.

Superior reliability

The CP Series offers critical load protection and, with the variety of options available, can be configured to meet specific needs. The CP Series is easy to install, operate and maintain.

Options

- MopUPS® Professional Software
- ManageUPS®_{NET} SNMP, WEB, and Telnet Adapter
- SNMP-based UPS monitoring
- Input Harmonic Filter
- Remote Alarm Unit
- Parallel Kit
- External Maintenance Bypass with optional Kirk Key Systems or Solenoid Key Release
- Extended Battery Runtime
- Field Upgrades
- Spare Parts Kits

Services

- Start-Up & Commissioning
- Extended Warranty Programs
- Preventative Maintenance Programs
- Battery Programs
- LIFE2000: 24-hour remote monitoring and diagnostics



- True On-Line Double Conversion Design
- Parallel Redundant (up to 1200 kVA are available by paralleling up to 8 modules)
- IGBT PWM Inverter
- 0.9 Output Power Factor
- Power Factor Corrected Input
- Internal Maintenance Bypass As Standard
- Dual or Single Input Available
- Field-Upgradable for On-Site Flexibility
- User-Friendly Display
- Low Output Distortion Even with Non-Linear Loads
- State-of-the-Art Communications Solutions
- Advanced Battery Management
- Top and Bottom Cable Entry
- Caster Equipped for Ease of Installation
- Built to Meet Stringent UL/ cUL 1778 Requirements
- Manufactured under ISO 9001
- Full 1-Year Warranty
- Free 24-Hour Technical Support (800) 388-4234, (847) 990-3229

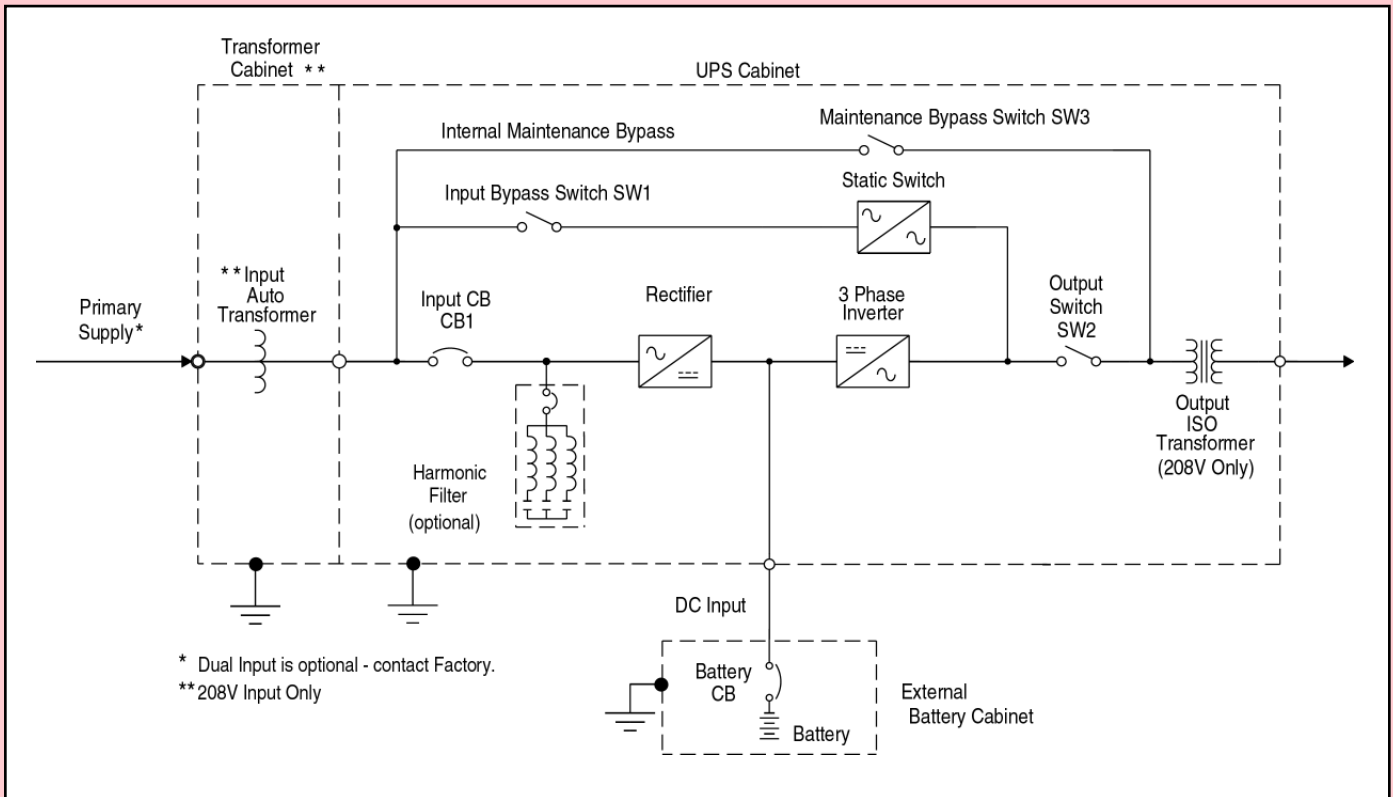
Chloride CP Series Parallel Redundant UPS: Specifications

Model	125 kVA			150 kVA		
	(2x2)	(4x2)	(4x4)	(2x2)	(4x2)	(4x4)
Part number	CP31501501252X2	CP31501501254X2	CP31501501254X4	CP31501501502X2	CP31501501504X2	CP31501501504X4
kVA/kW @ .9 PF	125/112	125/112	125/112	150/135	150/135	150/135
Input voltage (single input) - three-phase	208	480	480Y/277	208	480	480Y/277
(dual input)	208	480	480	208	480	480
Output voltage - three-phase	208Y/120	208Y/120	480Y/277	208Y/120	208Y/120	480Y/277
Frequency (Hz)	60	60	60	60	60	60
Nominal input current (Amps)	388	165	161	458	194	190
Maximum input current (Amps)	540	230	224	650	275	270
Nominal output current (Amps)	347	347	150	416	416	180
Percent efficiency	89	91	93	89	91	93
Full load heat rejection (BTU/hr.)	47,442	37,963	28,892	56,930	45,556	34,670
Height - inches (cm)	75.3 (191)	75.3 (191)	75.3 (191)	75.3 (191)	75.3 (191)	75.3 (191)
Width - inches (cm)	69 (175)	45.3 (115)	45.3 (115)	69 (175)	45.3 (115)	45.3 (115)
Depth - inches (cm)	33.7 (86)	33.7 (86)	33.7 (86)	33.7 (86)	33.7 (86)	33.7 (86)
UPS net weight - lbs. (kg.)	5,560 (2527)	3,750 (1704)	2,600 (1182)	5,560 (2527)	3,750 (1704)	2,600 (1182)
UPS shipping weight - lbs. (kg.)	5,760 (2619)	3,950 (1795)	2,800 (1273)	5,760 (2619)	3,950 (1795)	2,800 (1273)

NOTE: Battery life is optimized at 25°C (77°F). For every 8°C (15°F) above optimum temperature, battery life is reduced by 50%. All runtimes are approximate and are based on 1.67 final volts/cell (final volt per cell), 77°F, and 0.8 power factor at end of discharge, unless otherwise noted. Actual runtimes may vary. Runtimes over 60 minutes are based on 1.75 final volts/cell.

Part number	CP-PACK-601	CP-PACK-602	CP-PACK-603	CP-PACK-604	CP-PACK-605	CP-PACK-606	CP-PACK-607
Battery cabinet and type	K	K	CR4	2K	2K	2K	2CR4
Dimensions - HxWxD - in (cm)	75.3x43.3x33.7 (191x109x86)	75.3x43.3x33.7 (191x109x86)	77x40x32.5 (195x101x83)	75.3x86x33.7 (191x218x86)	75.3x86x33.7 (191x218x86)	75.3x86x33.7 (191x218x86)	77x80x32.5 (195x203x83)
Net weight - lbs (kg)	3,618 (1,644)	3,958 (1,799)	4,650 (2,113)	6,416 (2,916)	7,236 (3,289)	7,916 (3,598)	9,300 (4,227)
Shipping weight - lbs (kg)	3,818 (1,735)	4,158 (1,890)	4,850 (2,204)	6,816 (3,098)	7,636 (3,471)	8,316 (3,780)	9,700 (4,409)
Runtime- 125/150 kVA model (min)	6/NA	9/5	15/11	18/13	21/16	26/20	39/30

One-line diagram



ONEAC, MopUPS, and ManageUPS are all registered trademarks of ONEAC Corporation. All other trademarks are the property of their respective companies.

ONEAC is a UL/BSI registered corporation — Certification No. A2900



(800) 327 8801 OPT. 2 in USA AND CANADA

+44 (0) 2380 610311 in UK AND EUROPE

27944 N. Bradley Road, Libertyville, IL 60048 Phone 847 816-6000 FAX 847 680-5124

George Curl Way, Southampton, Hampshire SO18 2RY, UK FAX +44 (0) 2380 610852